

Technical and Dimensional Data

Saf-T Vent[®] EZ Seal

Single Wall
AL 29-4C[®] Stainless Steel
Special Gas Vent



Tested and Listed to
UL 1738/ULC S636
by Underwriters Laboratories, Inc



130 Industrial Boulevard
Turners Falls, MA 01376

© Copyright 2008 Selkirk Corp.
Saf-T Vent is a registered trademark of Selkirk Corp.
AL 29-4C is a registered trademark of ATI Properties, Inc.
UL and the UL Mark are registered trademarks of
Underwriters Laboratories, Inc.

Call 800 772 0739
Fax 413 863 4803

www.heat-fab.com

Saf-T Vent[®] EZ Seal

SINGLE WALL AL 29-4C[®] SPECIAL GAS VENT

TABLE OF CONTENTS

CATEGORY	PART DESCRIPTION	PAGE
Accessories	Horizontal Vertical Drain Section	3
	Condensate Drain Tube Kit	3
	Blast Gate	4
Tees, Boot Tees & Covers	Tee Cover with Drain Fitting	5
	Tee Cover	5
	Boot Tee	6
	Conduit Tee	7
Elbows	15° Elbow	8
	30° Elbow	8
	45° Elbow	9
	70° Elbow	10
	90° Elbow	11
Increasers & Reducers		12
Straight Lengths	6" & 12" Length	13
	18" Length	14
	Adjustable Length	14
	2 Ft. Length & 3 Ft. Length	15
	4 Ft. Length & 5 Ft. Length	16
Supports	Guy Support	17
	1" Clearance Horizontal / Vertical Support	18
	2" Clearance Horizontal Support	18
	2" Clearance Vertical Support	18
	6" & 8" Clearance Horizontal Support	19
Support Hangers	Support Clamp	19
	Vertical Support Leg	20
Thimbles Penetrations	Roof Flashing	20
	Pitched Cone Flashing	20
	Tall Cone Flashing	20
	Roof Jack Support System	21
	Wall Penetration & Horizontal Termination	22
	Wall Penetration Assembly - without Screen	23
Horizontal Wall Thimble	24	
Terminations	Tee Termination with Screen	24
	Mitered Termination with Screen	25
	Elbow Termination with Screen	25
	Screen Termination	26
	Rain Cap	27
Termination Accessories	Storm Collar	26

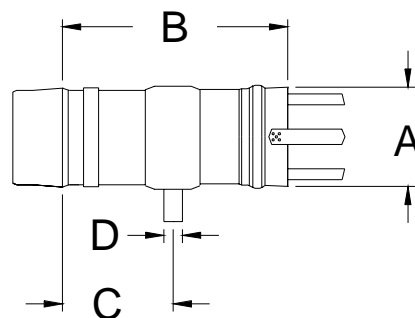
Saf-T Vent[®] EZ Seal

SINGLE WALL AL 29-4C[®] SPECIAL GAS VENT

Accessories:

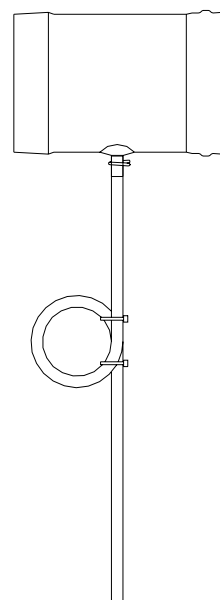
Horizontal/Vertical In-Line Drain Section — Use to drain away condensate from the vent system. The unique design of this part allows it to be installed in a horizontal, vertical or inclined orientation. Continuous horizontal runs in excess of 30 feet require a condensate drain. High temperature silicone rubber tubing is available separately, see below.

Part Number	DIM - A Nominal Diameter	DIM - B Installed Length	DIM - C Drain Location	DIM - D Drain Diameter (OD)
9321	3	7.5	3	0.5
9421	4	7.4	3	0.5



In-Line Drain Section

Part Number	DIM - A Nominal Diameter	DIM - B Installed Length	DIM - C Drain Location	DIM - D Drain Diameter (OD)
9521	5	7.3	4	0.5
9621	6	7.3	4	0.5
9721	7	7.3	4	0.5
9821	8	7.3	4	0.5
9921	9	7.3	4	0.5
91021	10	7.3	4	0.5
91221	12	7.3	4	0.5
91421	14	7.3	4	0.5
91621	16	7.3	4	0.5



Condensate Drain Tube Kit — This kit contains a length of high temperature silicone rubber tubing, a clamp, and two cable ties. The silicone tubing is rated for 500°F, and is translucent to allow inspection of the P-trap. Larger diameter drains can be plumbed directly into a drain system.

Part Number:	7000TUBE	5 feet of 3/8" diameter tubing
	7000TUBE-10	10 feet of 3/8" diameter tubing
	7001TUBE	10 feet of 1/2" diameter tubing

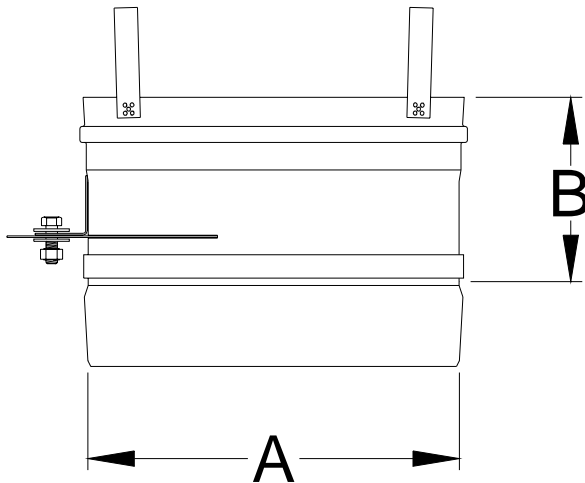
Saf-T Vent[®] EZ Seal

SINGLE WALL AL 29-4C[®] SPECIAL GAS VENT

Accessories:

Blast Gate — Use to balance the draft of an appliance when the vent is terminated with a fan.

Part Number	DIM - A Nominal Diameter	DIM - B Installed Height
9301BG	3	4.5
9401BG	4	4.5
9501BG	5	4.5
9601BG	6	4.5
9701BG	7	4.5
9801BG	8	4.5
9901BG	9	4.5
91001BG	10	4.5
91201BG	12	4.5
91401BG	14	4.5
91601BG	16	4.5



Blast Gate Side View

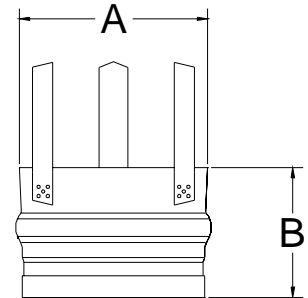
Saf-T Vent[®] EZ Seal

SINGLE WALL AL 29-4C[®] SPECIAL GAS VENT

Tees, Boot Tees, & Covers:

Tee Cover— Used to cap off the male end of a tee that is installed horizontally. The combination of a tee and a tee cover allows easy access for the periodic inspection of the vent system.

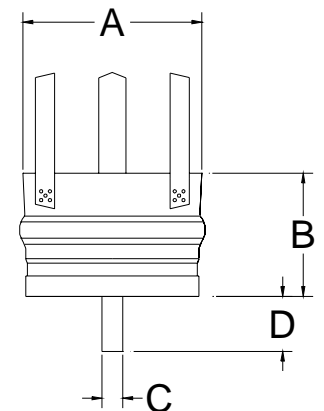
Part Number	DIM - A Nominal Diameter	DIM - B Height
9317	3	2.5
9417	4	2.5
9517	5	2.5
9617	6	2.5
9717	7	2.5
9817	8	2.5
9917	9	2.5
91017	10	2.5
91217	12	2.5
91417	14	2.5
91617	16	2.5



Tee Cover

Tee Cover with Drain Fitting — Use at the base of a tee or boot tee to drain away condensate from a vent system. This type of tee cover may also be used on the leg of a tee that is installed horizontally, to create a drain in a horizontal run. High temperature silicone rubber tubing is available separately from Heat-fab, see page 3.

Part Number	DIM - A Nominal Diameter	DIM - B Height	DIM - C Drain Diameter OD	DIM - D Drain Length
9317D	3	2.5	0.38	1
9417D	4	2.5	0.38	1
9517D	5	2.5	0.38	1
9617D	6	2.5	0.38	1
9717D	7	2.5	0.38	1
9817D	8	2.5	0.38	1
9917D	9	2.5	0.50	1
91017D	10	2.5	0.50	1
91217D	12	2.5	0.50	1
91417D	14	2.5	0.50	1
91617D	16	2.5	0.50	1



Tee Cover with Drain Fitting

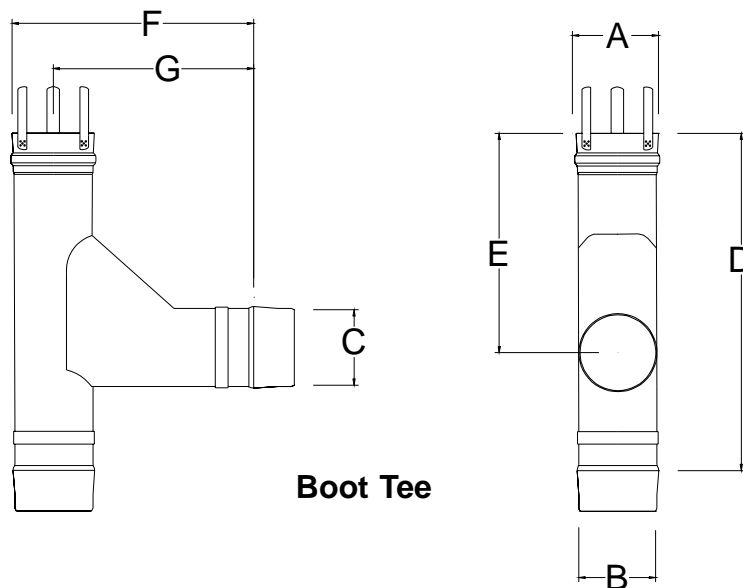
Saf-T Vent[®] EZ Seal

SINGLE WALL AL 29-4C[®] SPECIAL GAS VENT

Tees, Boot Tees, & Covers:

Boot Tee — Use vertically or horizontally to add appliances into a common-vent system. When installed horizontally, the male end of the tee body may be capped off with a tee cover to allow for future appliances. When used in conjunction with a drain tee cover, the boot tee will effectively transition a vent system from a horizontal to a vertical orientation while allowing for proper condensate drainage. The pressure drop for this fitting is equivalent to 15 feet of vent. Other diameter configurations may be available; please contact Heat-Fab's Engineering Team to discuss your special needs.

Part Number	DIM - A Out Nominal Diameters	DIM - B In Nominal Diameters	DIM - C Tap	DIM - D Installed Length	DIM - E Centerline of Tap to Outlet	DIM - F Installed Depth	DIM - G Installed Distance from Tap to Outlet Centerline
9316B	3	3	3	13.5	8.5	9.5	8.0
9416B	4	4	4	16.5	11.0	12.5	10.5
9516B	5	5	5	17.5	11.5	14.0	11.5
9616B	6	6	6	18.5	12.0	15.0	12.0
9664B	6	6	4	16.5	11.0	15.0	12.0
9716B	7	7	7	19.5	12.5	16.0	12.5
9816B	8	8	8	20.5	13.0	17.0	13.0
9916B	9	9	9	21.5	13.5	18.0	13.5
91016B	10	10	10	22.5	14.0	19.0	14.0
910104B	10	10	4	16.5	11.0	19.0	14.0
910106B	10	10	6	18.5	12.0	19.0	14.0
910108B	10	10	8	20.5	13.0	19.0	14.0
91216B	12	12	12	24.5	15.0	21.0	15.0
912124B	12	12	4	16.5	11.0	21.0	15.0
912126B	12	12	6	18.5	12.0	21.0	15.0
91416B	14	14	14	26.5	16.0	23.0	16.0
91616B	16	16	16	28.5	17.0	25.0	17.0



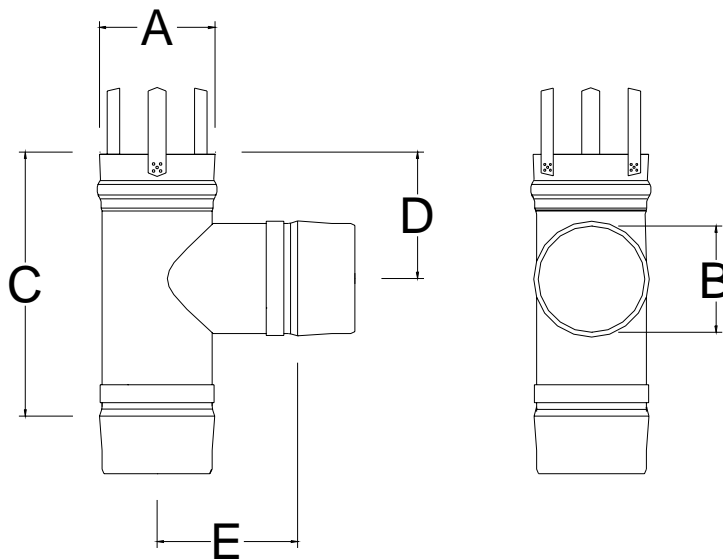
Saf-T Vent[®] EZ Seal

SINGLE WALL AL 29-4C[®] SPECIAL GAS VENT

Tees, Boot Tees, & Covers:

Conduit Tee — A conduit tee, when installed horizontally, may be fitted with a drain tee cover to create a condensate drain. Due to its high pressure drop, the conduit tee is generally not used to make a transition from horizontal to vertical. (Use a boot tee or an elbow.) The takeoffs are not removable on these tees.

Part Number	DIM - A Nominal Body Diameter	DIM - B Nominal Tap Diameter	DIM - C Installed Length	DIM - D Centerline of Tap to Outlet	DIM - E Installed Distance from Tap to Body Centerline
9316	3	3	7.5	3.5	4.3
9416	4	4	8.4	4.0	4.4
9516	5	5	9.5	5.5	6.5
9516X3	5	3	9.5	4.5	6.5
9516X4	5	4	10.5	5.0	6.5
9616	6	6	10.5	6.0	7.0
9616X3	6	3	9.5	4.5	7.0
9616X4	6	4	10.5	5.0	7.0
9616X5	6	5	11.5	5.5	7.0
9716	7	7	11.5	6.5	7.5
9816	8	8	12.5	7.0	8.0
91016	10	10	16.5	9.0	9.0



Conduit Tee

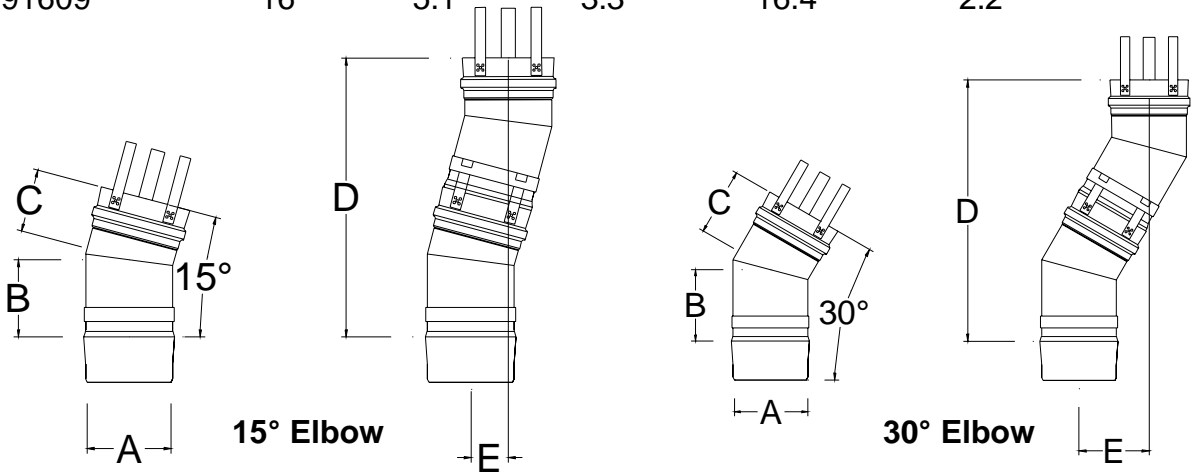
Saf-T Vent[®] EZ Seal

SINGLE WALL AL 29-4C[®] SPECIAL GAS VENT

Elbows:

15° Elbow — Use to achieve offsets or changes in the direction of the vent system. The degree of these welded seam elbows is not adjustable. The pressure drop for each elbow is equivalent to 3 feet of vent.

Part Number	DIM - A Nominal Diameter	DIM - B Rise	DIM - C Run	DIM - D Combined Installed Height	DIM - E Offset
9309	3	2.9	2.3	10.6	1.4
9409	4	4.3	2.5	13.3	1.8
9509	5	4.3	2.6	13.6	1.8
9609	6	4.4	2.6	13.8	1.8
9709	7	4.5	2.7	14.1	1.9
9809	8	4.5	2.8	14.4	1.9
9909	9	4.6	2.8	14.6	1.9
91009	10	4.7	2.9	14.9	2.0
91209	12	4.8	3.0	15.4	2.0
91409	14	4.9	3.2	15.9	2.1
91609	16	5.1	3.3	16.4	2.2



30° Elbow — Use to achieve offsets or changes in the direction of the vent system. The degree of these welded seam elbows is not adjustable. The pressure drop for each elbow is equivalent to 3 feet of vent for 3 and 4 inch diameters and 5 feet for 5 through 16 inch diameters.

Part Number	DIM - A Nominal Diameter	DIM - B Rise	DIM - C Run	DIM - D Combined Installed Height	DIM - E Offset
9310	3	3.1	2.8	11.0	3.0
9410	4	4.5	2.8	13.7	3.7
9510	5	4.7	2.9	14.2	3.8
9610	6	4.8	3.1	14.7	3.9
9710	7	4.9	3.2	15.2	4.1
9810	8	5.1	3.3	15.7	4.2
9910	9	5.2	3.5	16.2	4.3
91010	10	5.3	3.6	16.7	4.5
91210	12	5.6	3.9	17.7	4.7
91410	14	5.9	4.1	18.7	5.0
91610	16	6.1	4.4	19.7	5.3

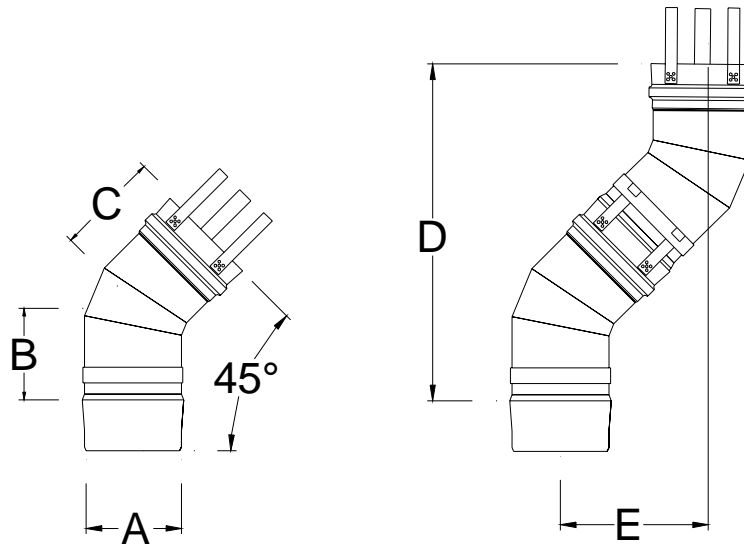
Saf-T Vent[®] EZ Seal

SINGLE WALL AL 29-4C[®] SPECIAL GAS VENT

Elbows:

45° Elbow — Use to achieve offsets or changes in the direction of the vent system. The degree of these welded seam elbows is not adjustable. The pressure drop for each elbow is equivalent to 5 feet of vent for 3 and 4 inch diameters and 8 feet for 5 through 16 inch diameters.

Part Number	DIM - A Nominal Diameter	DIM - B Rise	DIM - C Run	DIM - D Combined Installed Height	DIM - E Offset
9311	3	3.9	3.3	13.1	5.5
9411	4	5.9	4.4	17.6	7.3
9511	5	6.1	4.6	18.3	7.6
9611	6	6.3	4.8	19.0	7.9
9711	7	6.5	5.0	19.7	8.2
9811	8	6.7	5.2	20.4	8.5
9911	9	6.9	5.4	21.1	8.8
91011	10	7.7	6.2	23.6	9.8
91211	12	8.1	6.6	25.0	10.4
91411	14	8.5	7.0	26.5	11.0
91611	16	8.9	7.4	27.9	11.5



45° Elbow

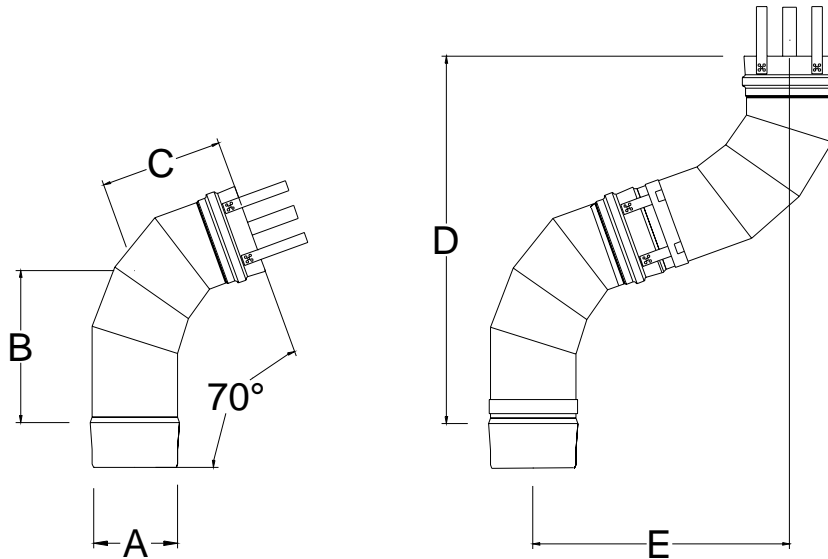
Saf-T Vent[®] EZ Seal

SINGLE WALL AL 29-4C[®] SPECIAL GAS VENT

Elbows:

70° Elbow— Use to achieve offsets or changes in the direction of the vent system. The degree of these welded seam elbows is not adjustable. The pressure drop for each elbow is equivalent to 8 feet of vent for 3 and 4 inch diameters and 12 feet for 5 through 16 inch diameters.

Part Number	DIM - A Nominal Diameter	DIM - B Rise	DIM - C Run	DIM - D Combined Installed Height	DIM - E Offset
9312	3	5.6	4.4	14.0	9.4
9412	4	7.7	6.2	18.7	13.1
9512	5	8.1	6.6	19.6	13.7
9612	6	8.4	6.9	20.5	14.4
9712	7	8.8	7.3	21.5	15.0
9812	8	9.1	7.6	22.4	15.7
9912	9	9.5	8.0	23.4	16.4
91012	10	11.0	9.5	27.5	19.3
91212	12	14.9	9.2	28.6	20.0
91412	14	12.4	10.9	31.3	21.9
91612	16	13.1	11.6	33.2	23.2



70° Elbow

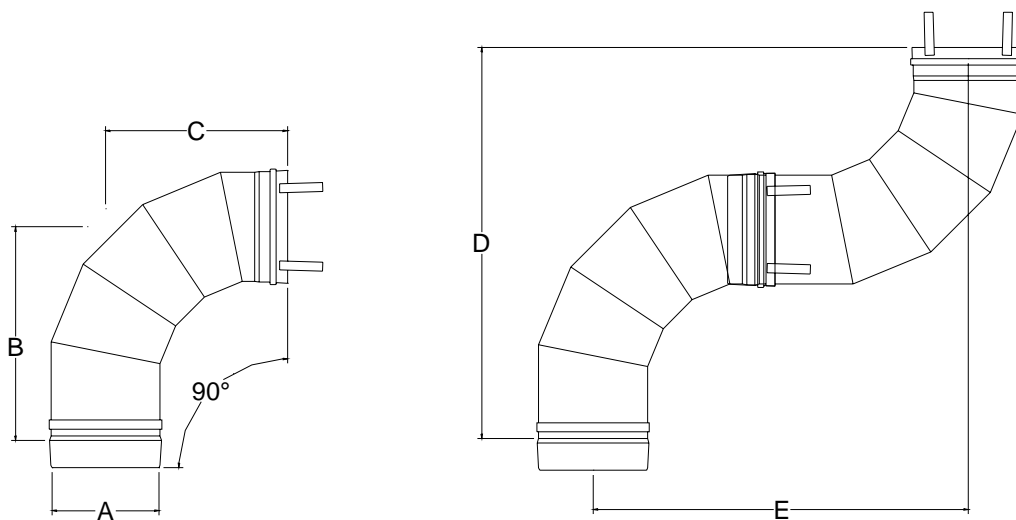
Saf-T Vent[®] EZ Seal

SINGLE WALL AL 29-4C[®] SPECIAL GAS VENT

Elbows:

90° Elbow— Use to achieve offsets or changes in the direction of the vent system. The degree of these welded seam elbows is not adjustable. The pressure drop for each elbow is equivalent to 10 feet of vent for 3 and 4 inch diameters and 15 feet for 5 through 16 inch diameters.

Part Number	DIM - A Nominal Diameter	DIM - B Rise	DIM - C Run	DIM - D Combined Installed Height	DIM - E Offset
9314	3	4.9	4.9	9.8	9.8
9314LR	3	7.1	6.5	13.5	13.5
9414	4	6.6	5.7	12.8	12.8
9414LR	4	10.0	8.3	18.3	18.3
9514	5	10.5	8.8	19.3	19.3
9514TR	5	8.26	6.26	14.4	14.4
9614	6	11.0	9.3	20.3	20.3
9614TR	6	7.0	6.24	13.3	13.3
9714	7	11.5	9.8	21.3	21.3
9714TR	7	8.8	8.3	17.1	17.1
9814	8	12.0	10.3	22.3	22.3
9814TR	8	9.3	8.8	18.1	18.1
9914	9	12.5	10.8	23.3	23.3
9914TR	9	9.8	9.3	19.1	19.1
91014	10	15.0	13.3	28.5	28.5
91014TR	10	11.8	9.8	21.5	21.5
91214	12	16.0	14.5	30.5	30.5
91414	14	17.0	15.5	32.5	32.5
91614	16	18.0	16.5	34.5	34.5



90° Elbow

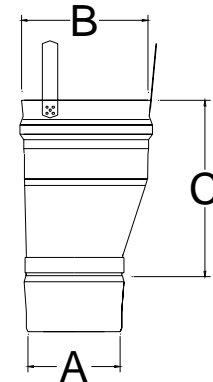
Saf-T Vent[®] EZ Seal

SINGLE WALL AL 29-4C[®] SPECIAL GAS VENT

Increasers & Reducers:

Increaser — Use to upsize a vent system. The term “increaser” is based on an increase in vent diameter in the direction of flue gas motion. Increasers are eccentric to allow for proper drainage of condensate when installed horizontally. Other diameter configurations may be available; please contact Heatfab’s Engineering Team to discuss your special needs.

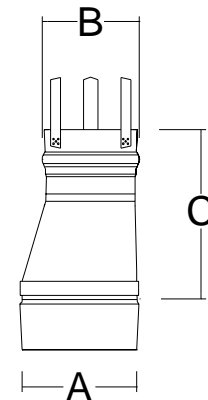
Part Number	DIM - A Inlet Diameter	DIM - B Outlet Diameter	DIM - C Installed Length
9374	3	4	6.0
9475	4	5	10.5
9476	4	6	10.5
9576	5	6	10.5
9677	6	7	10.5
9678	6	8	10.5
96710	6	10	16.5
98710	8	10	10.5
98712	8	12	16.5
99710	9	10	10.5
910712	10	12	10.5
910714	10	14	16.5
912714	12	14	10.5
914716	14	16	10.5
916718	16	18	10.5



Increaser

Reducer — Use to downsize a vent system. A reducer may only be used when specified or allowed by the appliance manufacturer. The term “reducer” is based on an reduction in vent diameter in the direction of flue gas motion. Reducers are eccentric to allow for proper drainage of condensate when installed horizontally. Other diameter configurations may be available; please contact Heatfab’s Engineering Team to discuss your special needs.

Part Number	DIM - A Inlet Diameter	DIM - B Outlet Diameter	DIM - C Installed Length
9473RDCR	4	3	6
9574	5	4	10.5



Reducer

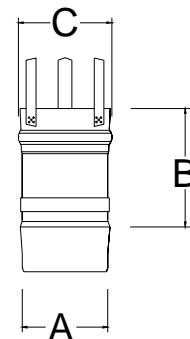
Saf-T Vent[®] EZ Seal

SINGLE WALL AL 29-4C[®] SPECIAL GAS VENT

Straight Lengths:

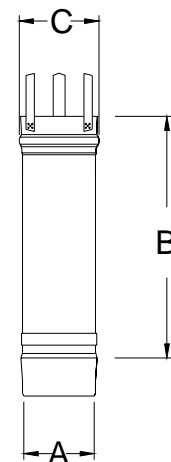
6" Length — Install vent with a continuous pitch of 1/4" per foot, sloping upward toward the termination (unless otherwise specified by the appliance manufacturer). It is important to provide adequate support to a Saf-T Vent EZ Seal system. Support horizontal portions of the vent system at 6-foot intervals. Vertical sections should be supported at least every 30-feet and after every offset or transition.

Part Number	DIM - A Nominal Diameter	DIM - B Installed Length	DIM - C Maximum OD
9301	3	4.5	3.4
9401	4	4.5	4.4
9501	5	4.5	5.4
9601	6	4.5	6.4
9701	7	4.5	7.4
9801	8	4.5	8.4
9901	9	4.5	9.4
91001	10	4.5	10.4
91201	12	4.5	12.4
91401	14	4.5	14.4
91601	16	4.5	16.4



12" Length — Install vent with a continuous pitch of 1/4" per foot, sloping upward toward the termination (unless otherwise specified by the appliance manufacturer). It is important to provide adequate support to a Saf-T Vent EZ Seal system. Support horizontal portions of the vent system at 6-foot intervals. Vertical sections should be supported at least every 30-feet and after every offset or transition.

Part Number	DIM - A Nominal Diameter	DIM - B Installed Length	DIM - C Maximum OD
9302	3	10.5	3.4
9402	4	10.5	4.4
9502	5	10.5	5.4
9602	6	10.5	6.4
9702	7	10.5	7.4
9802	8	10.5	8.4
9902	9	10.5	9.4
91002	10	10.5	10.4
91202	12	10.5	12.4
91402	14	10.5	14.4
91602	16	10.5	16.4



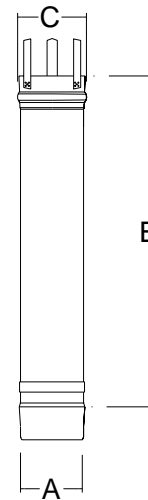
Saf-T Vent[®] EZ Seal

SINGLE WALL AL 29-4C[®] SPECIAL GAS VENT

Straight Lengths:

18" Length — Install vent with a continuous pitch of 1/4" per foot, sloping upward toward the termination (unless otherwise specified by the appliance manufacturer). It is important to provide adequate support to a Saf-T Vent EZ Seal system. Support horizontal portions of the vent system at 6-foot intervals. Vertical sections should be supported at least every 30-feet and after every offset or transition.

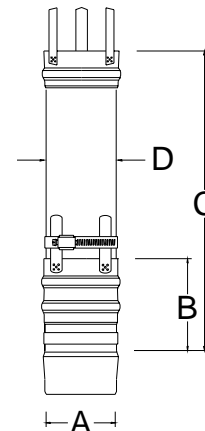
Part Number	DIM - A Nominal Diameter	DIM - B Installed Length	DIM - C Maximum OD
9304	3	16.5	3.4
9404	4	16.5	4.4
9504	5	16.5	5.4
9604	6	16.5	6.4
9704	7	16.5	7.4
9804	8	16.5	8.4
9904	9	16.5	9.4
91004	10	16.5	10.4
91204	12	16.5	12.4
91404	14	16.5	14.4
91604	16	16.5	16.4



Adjustable Length

Use to accommodate distances not possible with the standard Saf-T Vent EZ Seal lengths. The slip connector serves as an adjustable section and eliminates the need to cut parts to length. The Slip Connector can have an installed length from 6 to 19 inches. It works best in conjunction with another straight length of Saf-T Vent EZ Seal. When used with an elbow or a tee, do not insert the Slip Connector so far that air flow within the vent becomes obstructed. When planning a venting system, include one slip connector for every change of direction and for any spans between two fixed points. Each slip connector comes with three components, a slip section, a male connector and a stainless steel hose clamp.

Part Number	DIM - A Nominal Diameter	DIM - B Minimum Installed Length	DIM - C Maximum Installed Length	DIM - D Slip Diameter
9324	3.1	6	19	3.00
9424	4	6	19	3.90
9524	5	6	19	4.90
9624	6	6	19	5.87
9724	7	6	19	6.85
9824	8	6	19	7.89
9924	9	6	19	8.86
91024	10	6	19	9.86
91224	12	6	19	11.86
91424	14	6	19	13.87
91624	16	6	19	15.86



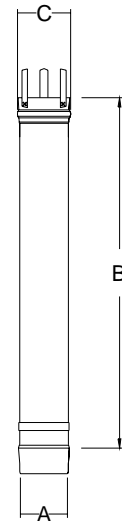
Saf-T Vent[®] EZ Seal

SINGLE WALL AL 29-4C[®] SPECIAL GAS VENT

Straight Lengths:

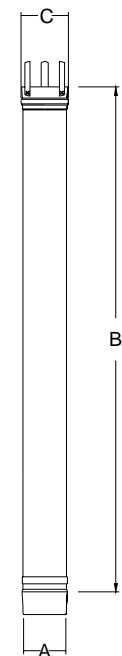
2 Ft. Length — Install vent with a continuous pitch of 1/4" per foot, sloping upward toward the termination (unless otherwise specified by the appliance manufacturer). It is important to provide adequate support to a Saf-T Vent EZ Seal system. Support horizontal portions of the vent system at 6-foot intervals. Vertical sections should be supported at least every 30-feet and after every offset or transition.

Part Number	DIM - A Nominal Diameter	DIM - B Installed Length	DIM - C Maximum OD
9305	3	22.5	3.4
9405	4	22.5	4.4
9505	5	22.5	5.4
9605	6	22.5	6.4
9705	7	22.5	7.4
9805	8	22.5	8.4
9905	9	22.5	9.4
91005	10	22.5	10.4
91205	12	22.5	12.4
91405	14	22.5	14.4
91605	16	22.5	16.4



3 Ft. Length — Install vent with a continuous pitch of 1/4" per foot, sloping upward toward the termination (unless otherwise specified by the appliance manufacturer). It is important to provide adequate support to a Saf-T Vent EZ Seal system. Support horizontal portions of the vent system at 6-foot intervals. Vertical sections should be supported at least every 30-feet and after every offset or transition.

Part Number	DIM - A Nominal Diameter	DIM - B Installed Length	DIM - C Maximum OD
9307	3	36	3.4
9407	4	36	4.4
9507	5	36	5.4
9607	6	36	6.4
9707	7	36	7.4
9807	8	36	8.4
9907	9	34.5	9.4
91007	10	34.5	10.4
91207	12	34.5	12.4
91407	14	34.5	14.4
91607	16	34.5	16.4



Saf-T Vent[®] EZ Seal

SINGLE WALL AL 29-4C[®] SPECIAL GAS VENT

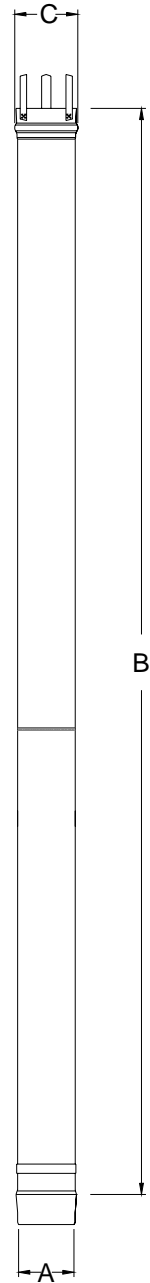
Straight Lengths:

4 Ft. Length — Install vent with a continuous pitch of 1/4" per foot, sloping upward toward the termination (unless otherwise specified by the appliance manufacturer). It is important to provide adequate support to a Saf-T Vent EZ Seal system. Support horizontal portions of the vent system at 6-foot intervals. Vertical sections should be supported at least every 30-feet and after every offset or transition.

Part Number	DIM - A Nominal Diameter	DIM - B Installed Length	DIM - C Maximum OD
9308	3	46	3.4
9408	4	46	4.4

5 Ft. Length — Install vent with a continuous pitch of 1/4" per foot, sloping upward toward the termination (unless otherwise specified by the appliance manufacturer). It is important to provide adequate support to a Saf-T Vent EZ Seal system. Support horizontal portions of the vent system at 6-foot intervals. Vertical sections should be supported at least every 30-feet and after every offset or transition.

Part Number	DIM - A Nominal Diameter	DIM - B Installed Length	DIM - C Maximum OD
9360	3	59.5	3.4
9460	4	59.5	4.4



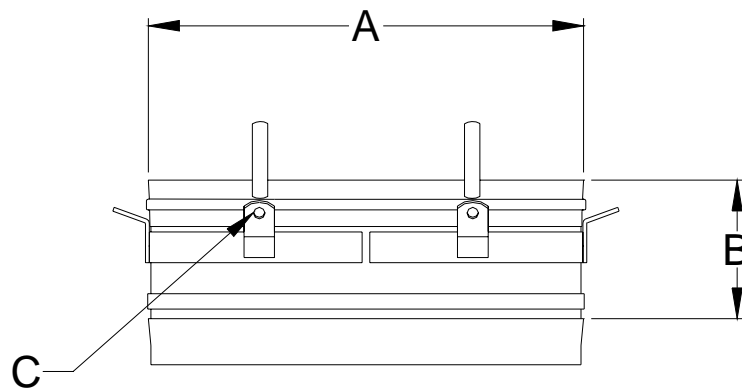
Saf-T Vent[®] EZ Seal

SINGLE WALL AL 29-4C[®] SPECIAL GAS VENT

Supports:

Guy Support Section — Provides vertical support using a part that is a flue-gas-carrying component of the vent system. Guy sections are primarily installed in long, inaccessible chases or used to provide support to systems with extended lengths above the roofline. Attach the guy section using stainless steel or galvanized cables or chain (supplied by others).

Part Number	DIM - A Nominal Diameter	DIM - B Installed Height	DIM - C Hole Diameter
93GUY	3	4.5	0.38
94GUY	4	4.5	0.38
95GUY	5	4.5	0.38
96GUY	6	4.5	0.38
97GUY	7	4.5	0.38
98GUY	8	4.5	0.38
99GUY	9	4.5	0.38
910GUY	10	4.5	0.38
912GUY	12	4.5	0.38
914GUY	14	4.5	0.38
916GUY	16	4.5	0.38



Guy Support Section

Saf-T Vent[®] EZ Seal

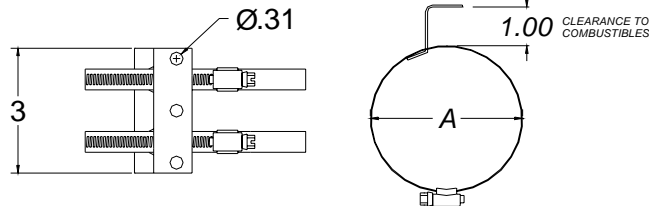
SINGLE WALL AL 29-4C[®] SPECIAL GAS VENT

Supports:

1" Clearance Horizontal / Vertical Support — Provides support to 3" and 4" diameter Saf-T Vent EZ Seal systems with a 300°F maximum flue gas temperature. When any horizontal run of Saf-T Vent EZ Seal extends for more than 6 feet, a horizontal support must be installed. Subsequent supports are required after every additional 6 feet and every elbow and tee. **Never drill or screw through the Saf-T Vent EZ Seal conduit.**

The 1" clearance may be achieved ONLY when the vent is NOT fully enclosed -- there may be combustible material on a maximum of 3 sides. This support is not recommended for use in Canada unless additional provisions are made to insure that proper clearances are maintained. Combustible material is defined by the NFPA as any material that is capable of being ignited and burned. Common paper-faced sheetrock is considered a combustible material.

Part Number	DIM - A Hose Clamp Diameter
9323/1	3.5
9423/1	4.5

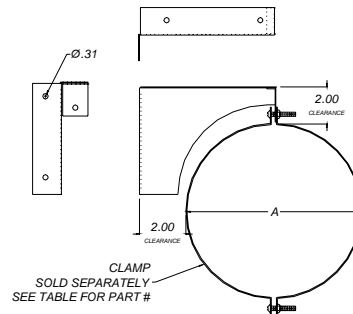


1" Clearance Horizontal / Vertical Support

2" Clearance Horizontal Support — Provides support to Saf-T Vent EZ Seal systems with a 550°F maximum flue gas temperature. When any horizontal run of Saf-T Vent EZ Seal extends for more than 6 feet, a horizontal support must be installed. Subsequent supports are required after every additional 6 feet and every elbow and tee. **Never drill or screw through the Saf-T Vent EZ Seal conduit.**

The 2" clearance may be achieved ONLY when the vent is NOT fully enclosed -- there may be combustible material on a maximum of 3 sides. This support is not recommended for use in Canada unless additional provisions are made to insure that proper clearances are maintained. Combustible material is defined by the NFPA as any material that is capable of being ignited and burned. Common paper-faced sheetrock is considered a combustible material.

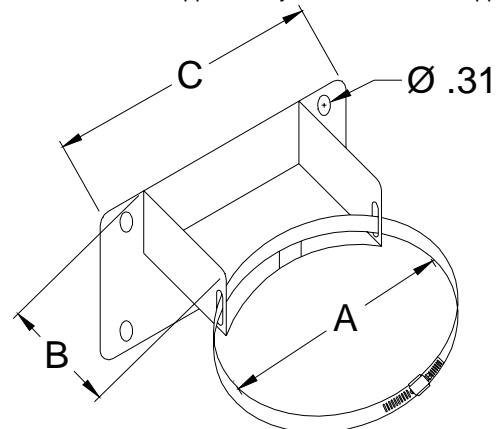
Part Number	DIM - A Nominal Diameter	Clamp Part Number SOLD SEPARATELY
9323/2	3	4327SS
9423/2	4	4427SS
9523/2	5	4527SS
9623/2	6	4627SS
9723/2	7	4727SS
9823/2	8	4827SS
9923/2	9	4927SS
91023/2	10	41027SS



2" Clearance Horizontal Support

2" Clearance Vertical Support — Use to provide support to Saf-T Vent EZ Seal systems while maintaining a 2" clearance to combustible materials. At a minimum, vertical supports are required immediately after any transition to a vertical run of over 10 feet, after any offset in a vertical run, and after every 30 feet of vertical run. These supports may also be used to support long horizontal runs, which require support every 6 feet.

Part Number	DIM - A Maximum Vent OD	DIM - B Clearance to Combustibles	DIM - C Bracket Width
9585	5.3	2	7.75
9685	6.3	2	8.4
9785	7.3	2	9
9885	8.3	2	9.5
9985	9.3	2	10
91085	10.3	2	10.25



Saf-T Vent[®] EZ Seal

SINGLE WALL AL 29-4C[®] SPECIAL GAS VENT

Supports:

6" & 8" Clearance Horizontal Support — Provides support to 3" and 4" diameter Saf-T Vent EZ Seal systems.

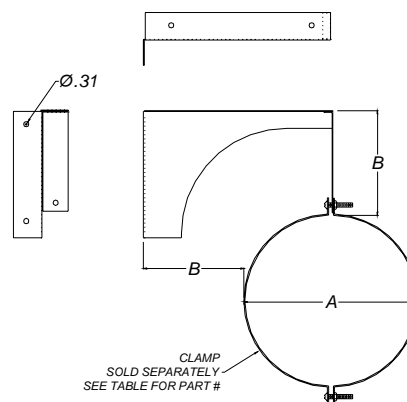
When any horizontal run of Saf-T Vent EZ Seal extends for more than 6 feet, a horizontal support must be installed. Subsequent supports are required after every additional 6 feet and every elbow and tee.

Never drill or screw through the Saf-T Vent EZ Seal conduit.

The 6" clearance horizontal support may be used in Canada on Saf-T Vent EZ Seal systems with a 300°F maximum flue gas temperature when the vent is NOT fully enclosed -- there may be combustible material on a maximum of 3 sides. The 8" clearance horizontal support may be used in the USA and Canada on Saf-T Vent EZ Seal systems with a 480°F maximum flue gas temperature when the vent is fully enclosed by combustible materials.

Combustible material is defined by the NFPA as any material that is capable of being ignited and burned. Common paper-faced sheet rock is considered a combustible material.

Part Number	DIM - A Nominal Diameter	DIM - B Clearance Provided	Clamp Part Number SOLD SEPARATELY
9323/6	3	6	4327SS
9323/8	3	8	4327SS
9423/6	4	6	4427SS
9423/8	4	8	4427SS



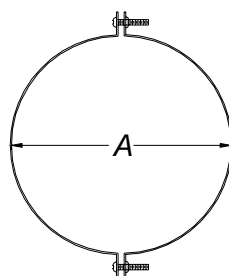
6" & 8" Clearance Horizontal Support

Support Hangers:

Support Clamp — For use on horizontal systems to provide support at the required 6-foot intervals. Support clamps by themselves do not maintain the necessary clearances to combustible materials; be sure to consider clearances when planning the system. Support clamps are sold in pairs, with two half-shells, and two 1/4-20 nuts and bolts. This part is made from 18-gauge Type 304 stainless steel and should not be installed in the direct path of flue gases.

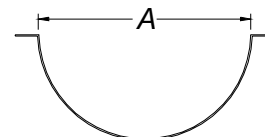
Never drill or screw through the Saf-T Vent EZ Seal conduit.

Part Number	DIM - A Nominal Diameter
4327SS	3
4427SS	4
4527SS	5
4627SS	6
4727SS	7
4827SS	8
4927SS	9
41027SS	10
41227SS	12
41427SS	14
41627SS	16



Support Clamp

Used in pairs to clamp around the vent and suspend from a single rod or cable.



Support Clamp

Used singularly as a saddle to rest the vent in; suspend from two rods or cables.

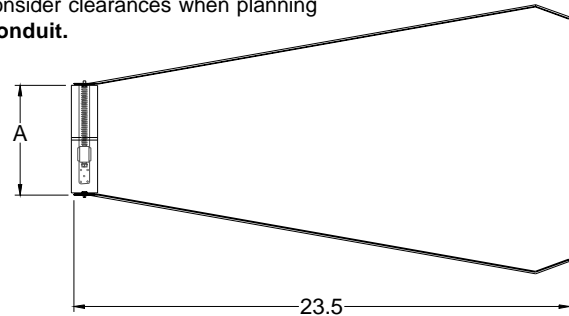
Saf-T Vent[®] EZ Seal

SINGLE WALL AL 29-4C[®] SPECIAL GAS VENT

Supports:

Vertical Support Leg — For use on vertical systems to provide support. The 20-gauge stainless steel support legs can be used below or above the roof, and can be used in pairs for extra stabilization. Hardware to attach the support to the structure is not provided; attach using best construction methods. Be sure to consider clearances when planning the system. **Never drill or screw through the Saf-T Vent vent conduit.** May be also used horizontally.

Part Number	DIM - A Hose Clamp Diameter
93VSL	3.5
94VSL	4.5

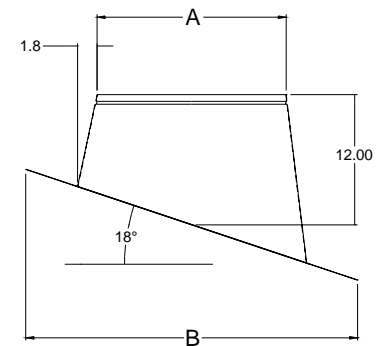


Thimbles & Penetrations:

Roof Flashing — Standard roof flashings available from local plumbing suppliers may be used on Saf-T Vent EZ Seal systems with vertical terminations. To properly support the system separate supports may be required above or below the roofline.

Pitched Cone Flashing — For use with single-wall or double-wall Saf-T Vent systems with vertical terminations. Can be used on roofs with a 2/12 - 8/12 pitch. This part comes with a tall storm collar and is made of all stainless steel construction. On single wall Saf-T Vent applications the roof must be of non-combustible material. For sizes larger than 6" diameter the CI Plus Tall Cone Flashing can be used if the roof is of non-combustible material.

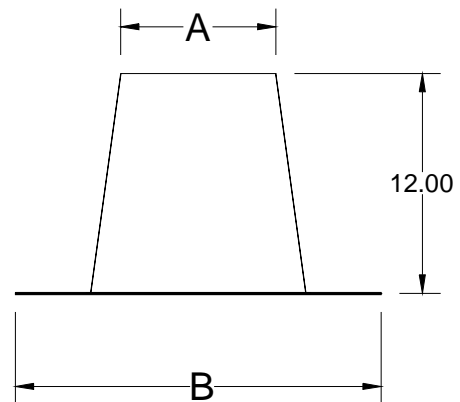
Part Number	Vent Diameter	DIM - A Top of Cone Opening	DIM - B Face Plate Square	DIM - C Overall Height
5381CI	3	4.5	25	12
5481CI	4	5.5	26	12
5581CI	5	6.5	27	12
5681CI	6	7.7	28	12



Pitched Cone Flashing

Tall Cone Flashing — For use with single-wall or double-wall systems with vertical terminations. Can be used on flat roofs or slightly pitched roofs. This part comes with a tall storm collar and is of all stainless steel construction. On Saf-T Vent single wall applications the roof must be of non-combustible material. For sizes larger than 7" diameter the CI Plus Tall Cone Flashing can be used if the roof is of non-combustible material.

Part Number	Vent Diameter	DIM - A Top of Cone Opening	DIM - B Face Plate Square	DIM - C Overall Height
5382CI	3	4.0	24	12
5482CI	4	5.0	25	12
5582CI	5	6.0	26	12
5682CI	6	7.0	27	12
5782CI	7	8.0	28	12



Tall Cone Flashing

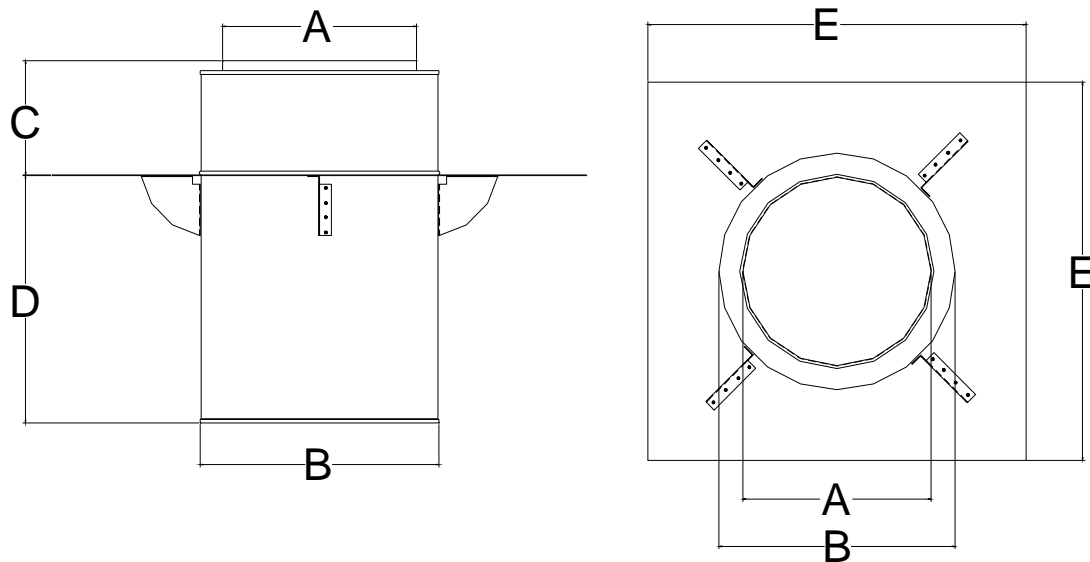
Saf-T Vent[®] EZ Seal

SINGLE WALL AL 29-4C[®] SPECIAL GAS VENT

Thimbles & Penetrations:

Roof Jack Support System— For use with single-wall or double-wall systems with vertical terminations. Use to pass through combustible and non-combustible roof structures. The roof jack support system must be installed on a flat roof or a level curb only. Each roof jack support system includes a storm collar that provides support and when sealed, acts as a water barrier.

Part Number	Nominal Diameter	DIM - A ID of Roof Jack	DIM - B OD of Roof Jack	DIM - C Height Above Roof Line	DIM - D Height Below Roof Line	DIM - E Plate Size
5380CI	3	3.6	6.1	7.25	15	18
5480CI	4	4.5	7.1	7.25	15	18
5580CI	5	5.5	8.1	7.25	15	18
5680CI	6	6.5	9.1	7.25	15	24
5780CI	7	7.5	10.1	7.25	15	24
5880CI	8	8.5	11.1	7.25	15	24
5980CI	9	9.5	12.1	7.25	15	24
51080CI	10	10.5	13.1	7.25	15	24
51280CI	12	12.5	15.1	7.25	15	24
51480CI	14	14.5	17.1	7.25	15	24
51680CI	16	16.5	19.1	7.25	15	27



Roof Jack Support System

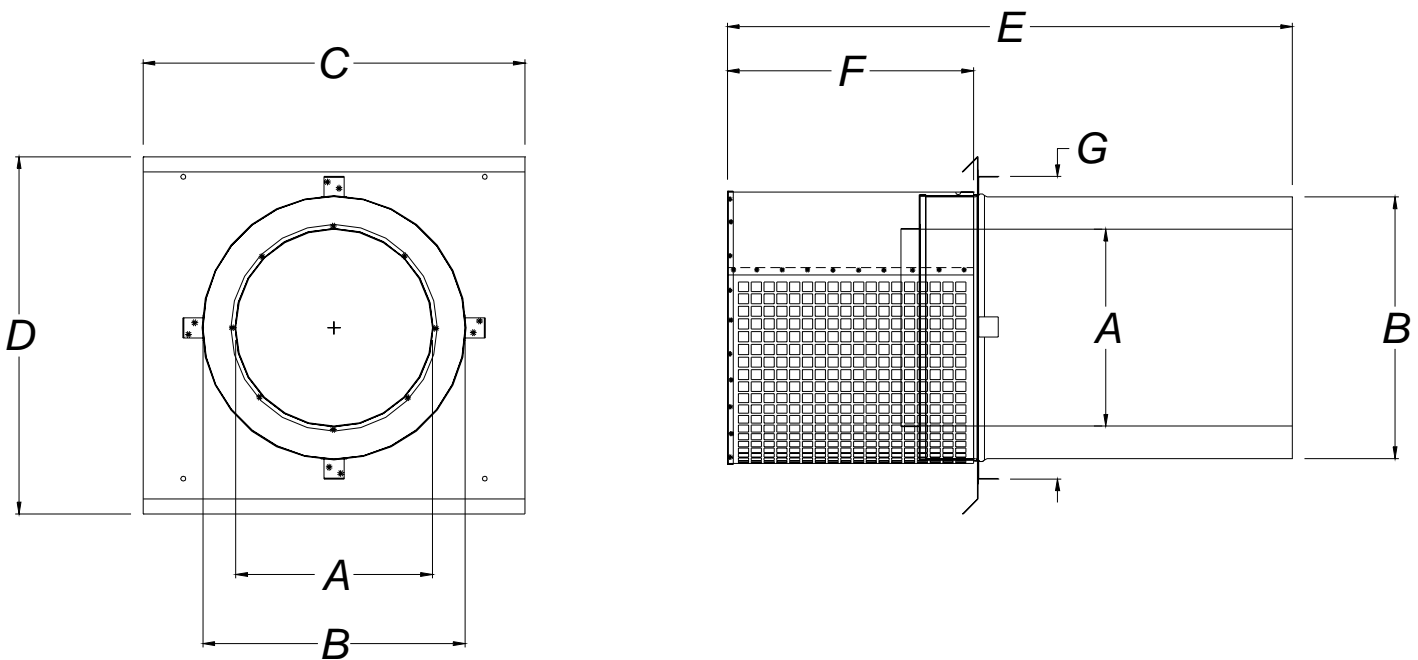
Saf-T Vent[®] EZ Seal

SINGLE WALL AL 29-4C[®] SPECIAL GAS VENT

Thimbles & Penetrations:

Wall Penetration & Horizontal Termination — For Saf-T Vent EZ Seal systems with horizontal terminations. Use to penetrate any combustible or non-combustible wall. This part is a thimble only and does not include any vent. Order enough vent to pass through the thimble and extend 4-8 inches beyond the building sheathing. Includes an AL 29-4C screen cover to terminate the vent system. The assembly may be painted to match the exterior decor.

Part Number	DIM - A Nominal Diameter	DIM - B Outer Tube Diameter	DIM - C Face Plate Width	DIM - D Face Plate Height	DIM - E Overall Length	DIM - F Exterior Length	DIM - G Wall Opening
5390CI	3	6	16	15	21.5	6	8
5490CI	4	7	16	15	21.5	6	9
5590CI	5	8	16	15	21.5	6	10
5690CI	6	9	16	15	21.5	6	11
5790CI	7	10	17	16	23.5	8	12
5890CI	8	11	18	17	23.5	8	13
5990CI	9	12	18	17	25.5	10	14
51090CI	10	13	19	18	27.5	12	15
51290CI	12	15	22	21	27.5	12	17
51490CI	14	17	24	23	27.5	12	19
51690CI	16	19	25	24	27.5	12	21



Wall Penetration & Horizontal Termination

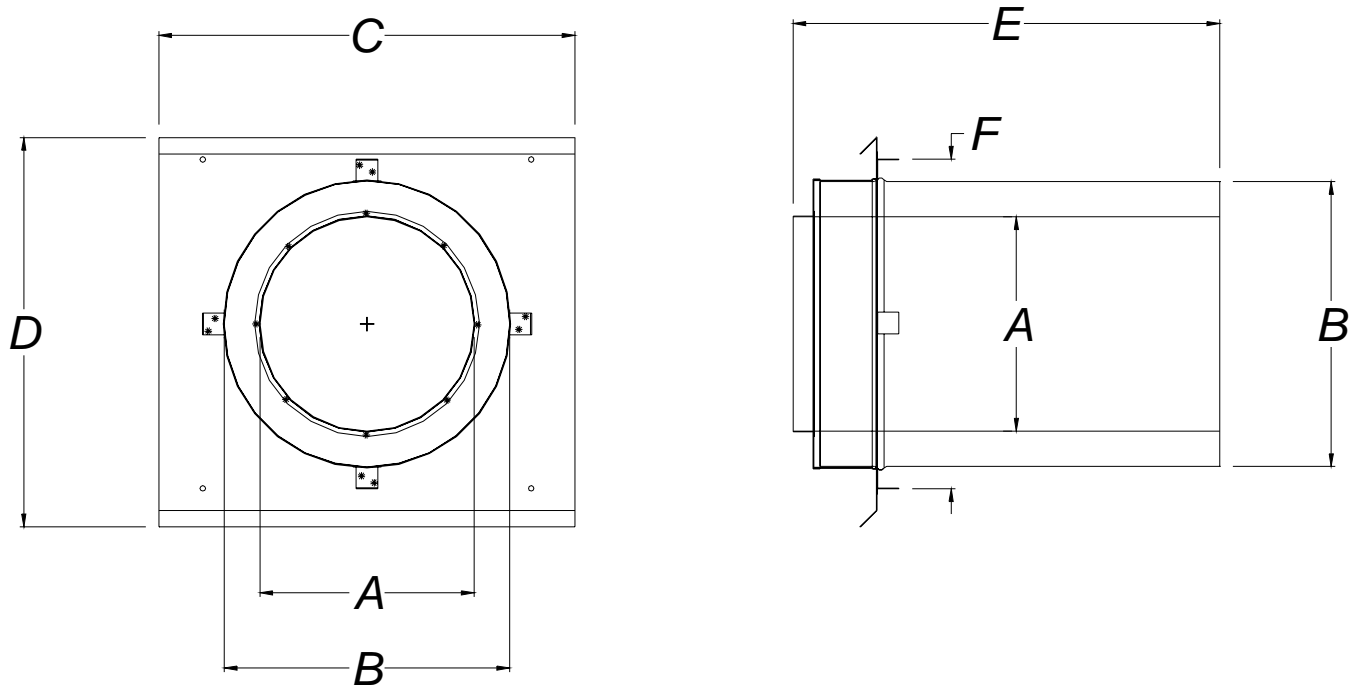
Saf-T Vent[®] EZ Seal

SINGLE WALL AL 29-4C[®] SPECIAL GAS VENT

Thimbles & Penetrations:

Wall Penetration Assembly - without Screen — Use to penetrate any combustible or non-combustible wall. This part is a thimble only and does not include any vent. Order enough vent to pass through the thimble and extend at least 4 inches beyond a combustible building sheathing. The vent system may be terminated using any terminal Listed for use with the appliance. The design also allows a vent system to pass through a wall in order to install the vent up the outside of a building. The assembly may be painted to match the exterior decor.

Part Number	DIM - A Nominal Diameter	DIM - B Outer Tube Diameter	DIM - C Face Plate Width	DIM - D Face Plate Height	DIM - E Overall Length	DIM - F Wall Opening
5391CI	3	6	16	15	18.5	8
5491CI	4	7	16	15	18.5	9
5591CI	5	8	16	15	18.5	10
5691CI	6	9	16	15	18.5	11
5791CI	7	10	17	16	18.5	12
5891CI	8	11	18	17	18.5	13
5991CI	9	12	18	17	18.5	14
51091CI	10	13	19	18	18.5	15
51291CI	12	15	22	21	18.5	17
51491CI	14	17	24	23	18.5	19
51691CI	16	19	25	24	18.5	21



Wall Penetration Assembly - without Screen

Saf-T Vent[®] EZ Seal

SINGLE WALL AL 29-4C[®] SPECIAL GAS VENT

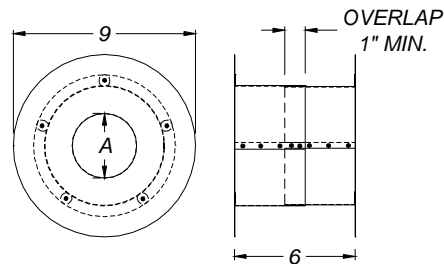
Thimbles & Penetrations:

Horizontal Wall Thimble — Use to penetrate any interior or exterior combustible or non-combustible wall. This part is a thimble only and does not include any vent -- be sure to order enough vent to pass through the thimble.

To use this thimble, the vent must be uninsulated for a minimum distance prior to passing through a combustible wall. A minimum distance of 18 inches is required for appliance flue gas temperatures up to 400° F. A minimum distance of 6 feet is required for appliance flue gas temperatures of 400 - 480° F.

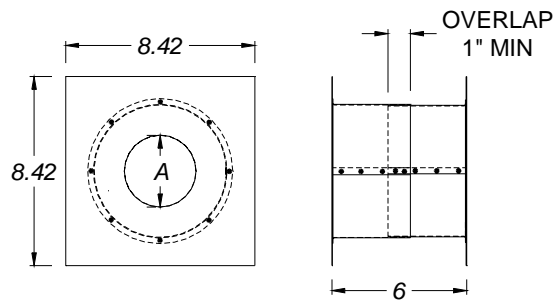
The opening must be 6-1/2 inches in diameter for both 3 or 4 inch diameter Saf-T Vent systems. The wall thimble is designed to adapt to any wall thickness from 3.5" to 6" thick. If the wall is thicker than 6", the thimble may be extended using a piece of 6" diameter snaplock or welded-seam galvanized pipe. The vent system may be terminated using any terminal Listed for use with the appliance. The wall thimble may be painted to match the decor.

Part Number	DIM - A Face Plate Hole Diameter	Face Plate Shape
9393	3.28	Round
9493	4.25	Round



Horizontal Wall Thimble - Round Face

Part Number	DIM - A Face Plate Hole Diameter	Face Plate Shape
9393S	3.28	Square
9493S	4.25	Square

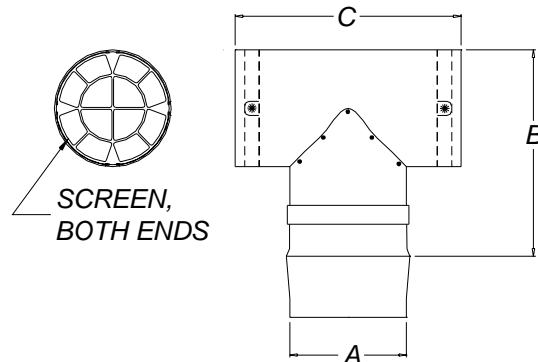


Horizontal Wall Thimble - Square Face

Terminations:

Tee Termination with Screen — Use as a termination on horizontal or vertical systems, as specified or allowed by the appliance manufacturer.

Part Number	DIM - A Nominal Diameter	DIM - B Installed Length	DIM - C Tee Body Width
9390TEE	3	5.5	6
9490TEE	4	6.5	7
9590TEE	5	9.0	8
9690TEE	6	10.5	9
9890TEE	8	12.0	11
91090TEE	10	15.5	19



Tee Termination with Screen

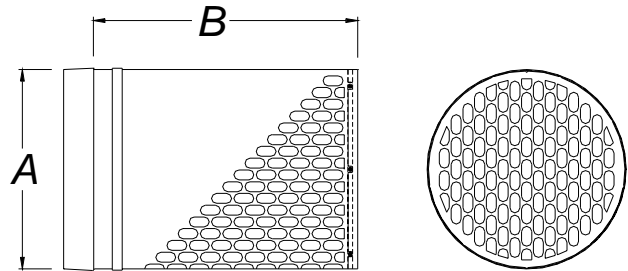
Saf-T Vent[®] EZ Seal

SINGLE WALL AL 29-4C[®] SPECIAL GAS VENT

Terminations:

Mitered Termination with Screen — Use as a termination on horizontal or vertical systems, as specified or allowed by the appliance manufacturer.

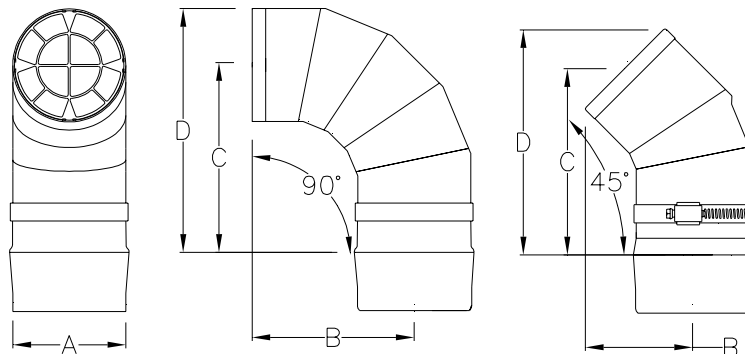
Part Number	DIM - A Nominal Diameter	DIM - B Installed Length
9390	3	6.25
9490	4	7.25
9590	5	8.25
9690	6	8.50
9790	7	10.25
9890	8	11.25
9990	9	12.25
91090	10	13.25
91290	12	15.00
91490	14	17.25
91690	16	18.25



Mitered Termination with Screen

Elbow Termination with Screen — Use as a termination on horizontal or vertical systems, as specified or allowed by the appliance manufacturer. (45° elbow termination is available in 3 and 4" diameters.)

Part Number	DIM - A Nominal Diameter	DIM - B Center to Edge	DIM - C Centerline Installed Length	DIM - D Overall Installed Length
9314TERM	3	4.5	5.3	6.8
9311TERM	3	2.9	5.0	6.2
9414TERM	4	5.3	6.0	8.0
9411TERM	4	3.4	5.4	6.8
9514TERM	5	5.7	6.4	8.9
9614TERM	6	6.3	7.0	10.0
9714TERM	7	6.8	7.5	11.0
9814TERM	8	7.2	7.9	11.9
91014TERM	10	8.9	9.6	14.6
91214TERM	12	9.9	10.6	16.6



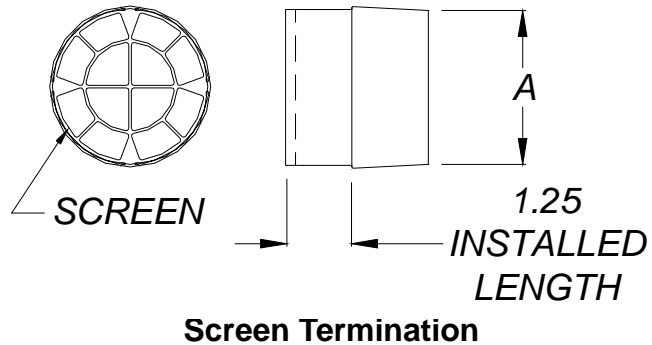
Elbow Termination with Screen

Saf-T Vent[®] EZ Seal

SINGLE WALL AL 29-4C[®] SPECIAL GAS VENT

Screen Termination — Use as a termination on horizontal or vertical systems, as specified or allowed by the appliance manufacturer.

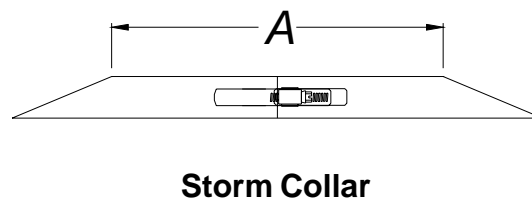
Part Number	DIM - A Nominal Diameter
9392	3
9492	4
9592	5
9692	6
9792	7
9892	8
9992	9
91092	10
91292	12
91492	14
91692	16



Termination Accessories:

Storm Collar — For use on horizontal or vertical systems when a Heat-fab wall or roof penetration is not used or is not required. The storm collar may be tightened and sealed around the vent to prevent water from entering the building. It may also be used as a decorative shield to cover holes where the vent penetrates interior concrete and masonry walls. This part is made from Type 304 stainless steel and should not be installed in the direct path of flue gases.

Part Number	DIM - A Nominal Diameter
4326SS	3
4426SS	4
4526SS	5
4626SS	6
4726SS	7
4826SS	8
4926SS	9
41026SS	10
41226SS	12
41426SS	14
41626SS	16



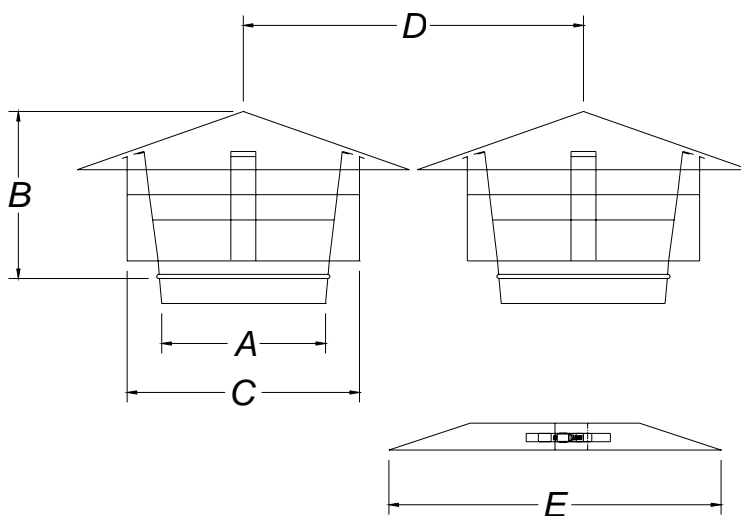
Saf-T Vent[®] EZ Seal

SINGLE WALL AL 29-4C[®] SPECIAL GAS VENT

Terminations:

Rain Cap — Use as a termination on vertical systems. Category I and II appliances require a raincap or other device to prevent rainwater from entering the vent. Vent systems for positive pressure appliances may omit the raincap if there are other provisions for draining rainwater from the system. The raincap may also be used as a horizontal termination. Each raincap includes a storm collar that is used to attach the raincap to the vent system.

Part Number	DIM - A Nominal Diameter	DIM - B Cap Height	DIM - C Outer Band	DIM - D Minimum Spacing	DIM - E Storm Collar
5300CI	3	8.5	8	18	12
5400CI	4	8.5	9	18	12
5500CI	5	9	10	21	14
5600CI	6	9	11	21	14
5700CI	7	11	11	28	17
5800CI	8	11	12	28	18
5900CI	9	11	13	30	19
51000CI	10	11	14	32	20
51200CI	12	11	19	36	24
51400CI	14	13	20	40	28
51600CI	16	15	22	44	32



Rain Cap

Saf-T Vent[®] EZ Seal

SINGLE WALL AL 29-4C[®] SPECIAL GAS VENT

Notes: