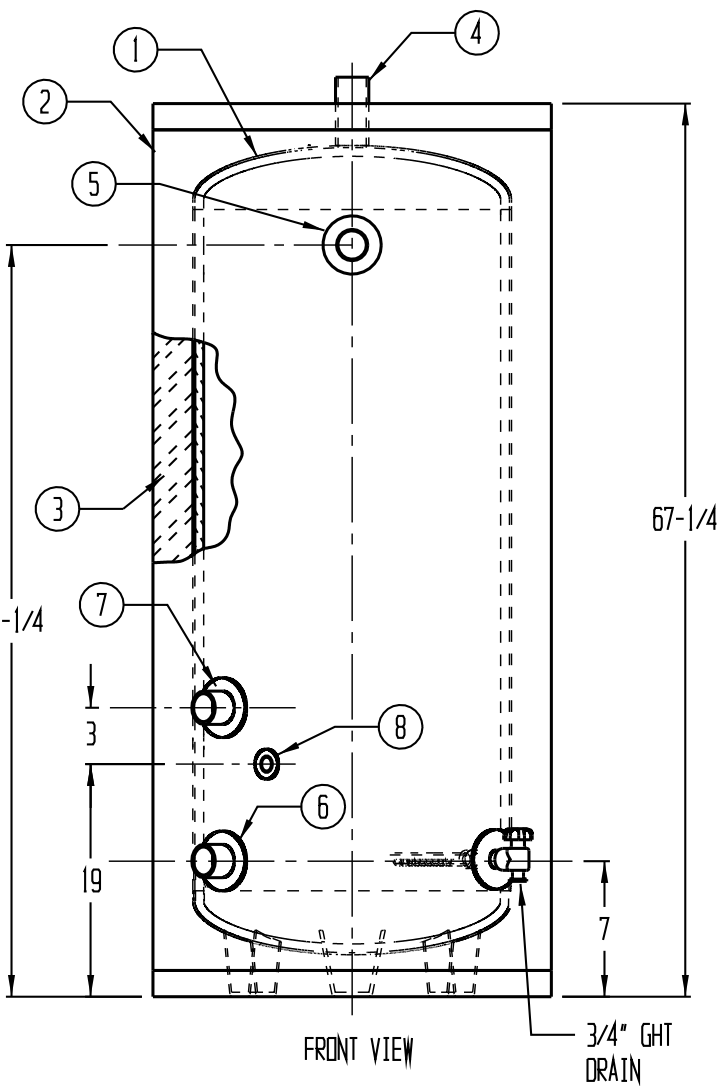


TOP VIEW



FRONT VIEW

3/4" GHT DRAIN

BILL OF MATERIALS					
ITEM	QTY	DESCRIPTION	SIZE	MATERIAL	PART NO.
1	1	HYDRSTONE CEMENT LINED TANK	119 GAL	STEEL	----
2	1	PROTECTIVE OUTER JACKET	----	PLASTIC	----
3	1	INSULATION	2" THICK	POLYURETHANE	----
4	1	HOT WATER OUTLET	2" NPT	BRASS	----
5	1	T&P RELIEF VALVE TAPPING	1" FNPT	CuSi	----
6	1	COLD WATER INLET	2" NPT	BRASS	----
7	1	RECIRCULATION TAPPING	2" NPT	BRASS	----
8	1	AQUASTAT TAPPING	3/4" FNPT	CuSi	----

NOTES:

1. TANK IS DESIGNED FOR 150PSI WORKING PRESSURE.
2. T&P RELIEF VALVE SUPPLIED BY OTHERS.
3. 45 REQUIRED.

REV	DESCRIPTION	DATE	APPROVED
REVISIONS			

TOLERANCES: UNLESS OTHERWISE SPECIFIED FRACTIONAL: ± 1/4 DECIMAL: ± 0.01 ANGULAR: ± 1°		THE ELECTRIC HEATER COMPANY STRATFORD, CONNECTICUT	
DRAWN BY: C.G.D. 04/21/08 CHECKED BY: APPROVED BY:		CUSTOMER: HYDROTEMP, INC. DESCRIPTION: MODEL E120SLXX-2 119 GALLON STORAGE TANK	
SIZE: B	FSCM NO. 19857	DWG NO. 08-25997	REV -
SCALE 1:10		SHEET 1 OF 1	